

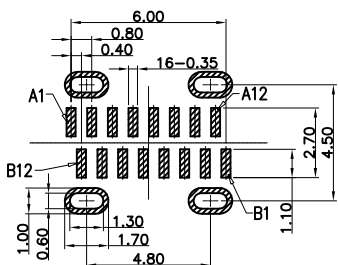
NOTES:

SPECIFICATION:

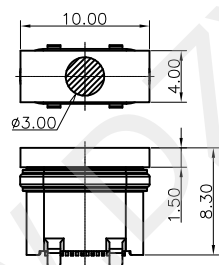
- 1.CURRENT RATING: 5A
- 2.VOLTAGE RATING: 20V
- 3.VBUS & GND PINS AND OTHER PINS: 40mΩ/PIN MAX
SHIELD: 50mΩ/MAX
LLCR MAX. CHANGE OF ALL PINS: 10Ωm
- 4.INSULATION RESISTANCE: 100MΩ MIN
- 5.DIELECTRIC WITHSTAND VOLTAGE,AC 100V FOR 1MINUTE
- 6.INSERTION FORCE: 0.5~2.0kgf
- 7.UNMATING FORCE: 0.8-2.0kgf
- 8.DURABILITY: 10000 CYCLES
- 9.OPERATING TEMPERATURE: -35°C~+85°C
- 10.THE PEAK TEMPERATURE ON THE BOARD SHALL BE MAINTAINED FOR 10 SECONDS AT 210-230°C
- 11.WATERPROOF:IP-68.

TABLE:

| NO | PART | Q'TY | Material |
|----|-----------------|------|----------------------------------|
| 1 | SHELL | 1 | ZINC ALLOG,NI30u"Min PLATED |
| 2 | CONTACT | 16 | C7025,TIN80u"/Au1u"/NI30u"PLATED |
| 3 | MID PLATE | 1 | SUS301,NO PLATING |
| 4 | HOUSING | 1 | LCP(E130i) UL94 V-0 BLACK |
| 5 | CAP | 1 | LCP UL94 V-0 BLACK |
| 6 | WATERPROOF RING | 1 | SILICONE(SI/60-65A) UL94 V-0 RED |



RECOMMEND P.C.B LAYOUT
TOLERANCE UNSPECIFIED ±0.05mm



装前塞示意图

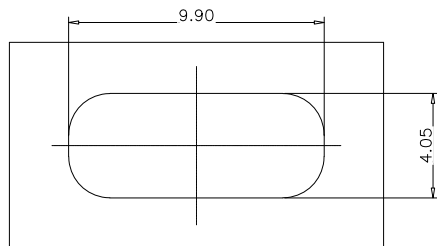
USB TYPE C PIN ASSIGNMENTS

| PIN NUMBER | SIGNAL NAME | PIN NUMBER | SIGNAL NAME |
|------------|-------------|------------|-------------|
| A1 | GND | B12 | GND |
| A4 | VBUS | B9 | VBUS |
| A5 | CC1 | B8 | SBU2 |
| A6 | DP1 | B7 | DN2 |
| A7 | DN1 | B6 | DP2 |
| A8 | SBU1 | B5 | CC2 |
| A9 | VBUS | B4 | VBUS |
| A12 | GND | B1 | GND |

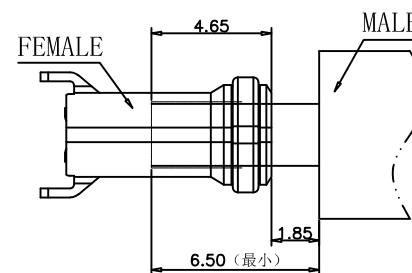
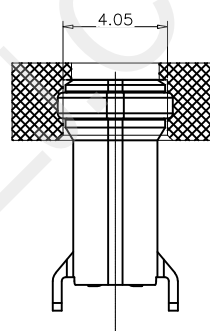
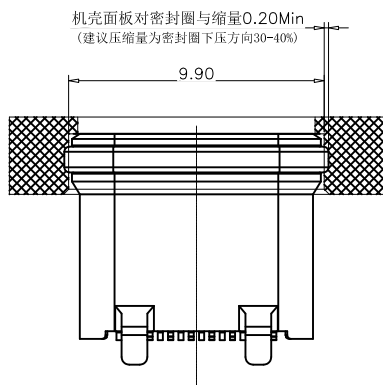





深圳市华宇创精密电子有限公司

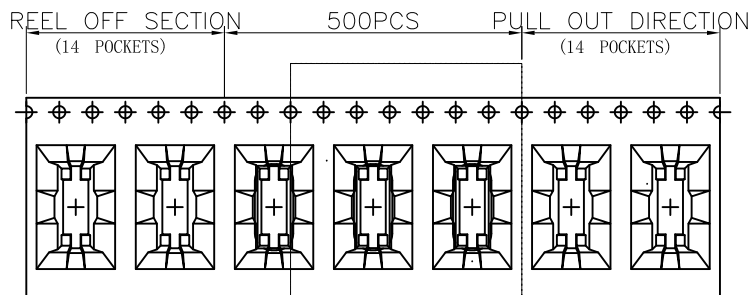
| | | | |
|---|--------------------|----------------------|--|
| TOLERANCE: X.X ±0.30 X.XX ±0.25 X.XXX ±0.15 X: ±2' X.X' ±0.5' | DRAWN BY : 陈一鸣 | DATE : 2014-02-23 | PART NAME: USB TYPE C 防水母座16P 立贴 8.0H |
| | CHECKED BY: 马跃 | DATE : 2014-02-23 | PART NO. : HVC756-USBC16-800 |
| UNIT: mm [inch] SCALE:1:1 SIZE: A4 | APPROVED BY: 邱敏 | DATE : 2014-02-23 | DRAW NO. : HVC-2606040936 |
| | | | SHEET NO. : 1 OF 1 |



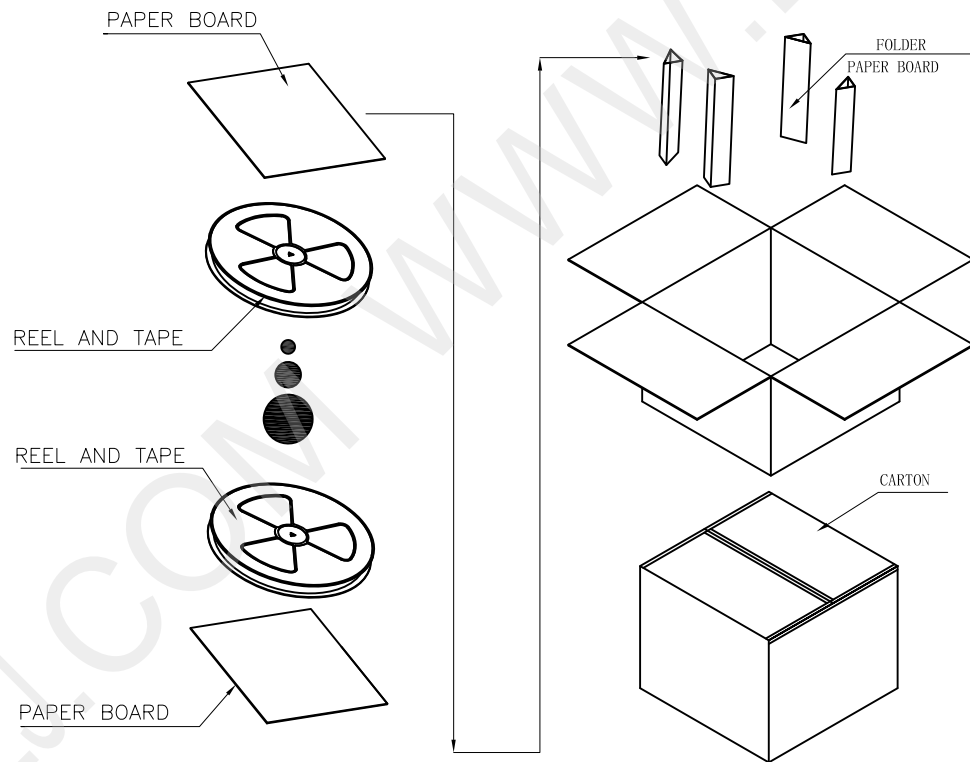
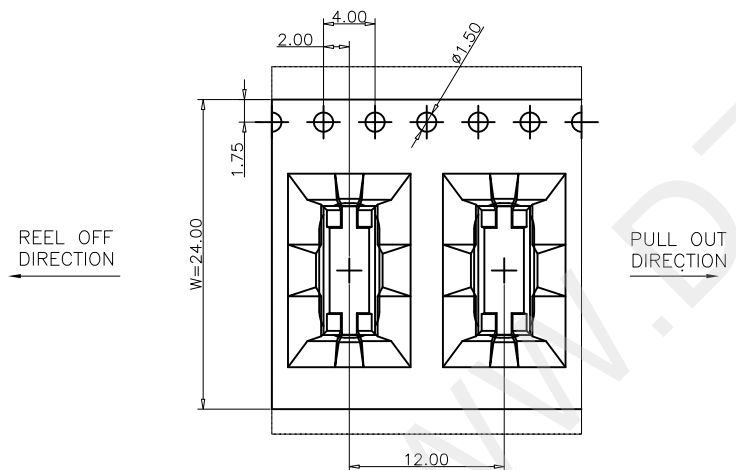
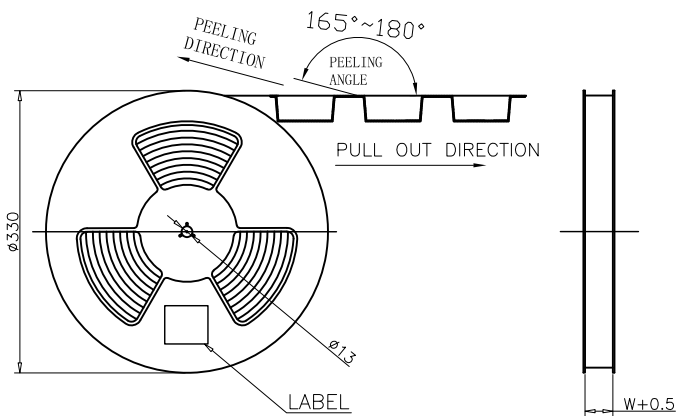
密封开孔参考尺寸(只供参考)
 组装外壳时需要打环保润滑油



| | | | |
|---|---------------------------|-----------------------------|---|
|  深圳市华宇创精密电子有限公司 | | | |
| TOLERANCE: X.X ±0.30 X.XX ±0.25 X.XXX ±0.15 X.' ±2' X.X' ±0.5' | DRAWN BY : 陈一鸣 | DATE : 2014-02-23 | PART NAME: USB TYPE C 防水母座16P 立贴 8.0H |
| | CHECKED BY: 马跃 | DATE : 2014-02-23 | PART NO. HYC756-USBC16-800 |
|   UNIT: mm [inch] SCALE:1:1 SIZE: A4 | APPROVED BY: 邱敏 | DATE : 2014-02-23 | MOLD NO. |
| | | | DRAW NO: HYC-2606040936 |
| | | | SHEET NO. 1 OF 1 |



SEE DETAIL X



| | | |
|-----------------|------|--------|
| | REEL | CARTON |
| CONNECTOR (PCS) | 500 | 5000 |

| | | | |
|--|--------------------|----------------------|------------------------------|
| <p>深圳市华宇创精密电子有限公司</p> | | | |
| TOLERANCE: X.X ±0.30 X.XX ±0.25 X.XXX ±0.15 X.' ±2' X.X' ±0.5' | DRAWN BY : 陈一鸣 | DATE : 2014-02-23 | PART NAME: 包装图 |
| | CHECKED BY: 马跃 | DATE : 2014-02-23 | PART NO. MOLD NO. |
| UNIT: mm [inch] SCALE:1:1 SIZE: A4 | APPROVED BY: 邱敏 | DATE : 2014-02-23 | DRAW NO: SHEET NO. 1 OF 1 |